

# LM4A-2IO-M

Analogue and digital  
signals centralizer



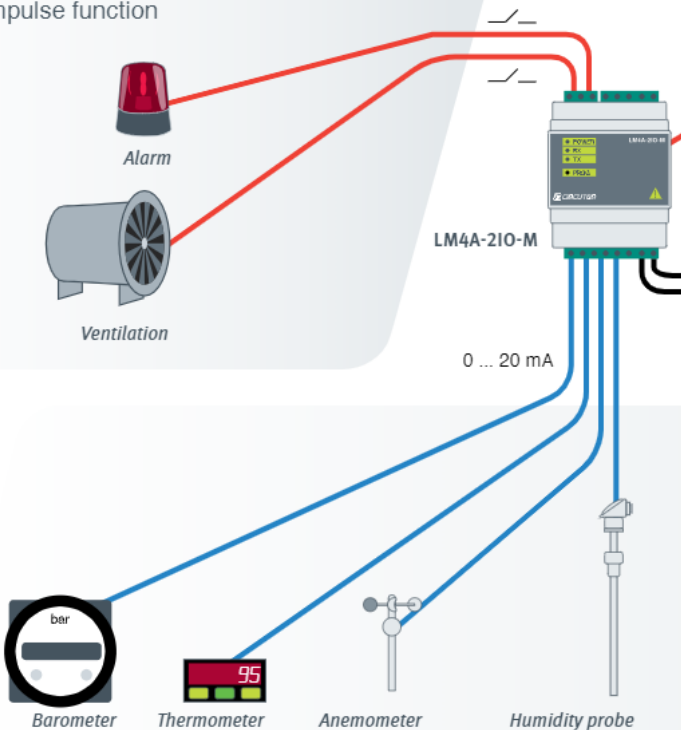
# Main features

The **LM4A-2IO-M** is an analogue and digital signals centralizer. In only 4 DIN modules, the unit has 2 relay outputs and centralizes 4 analogue inputs from 0 ... 20 mA, 2 voltage-free digital input. The unit includes an RS-485 communications bus with a Modbus/RTU protocol, which allows real time control by communications. The unit is compatible with **PowerStudio** and **PowerStudio SCADA** control software.

## Control

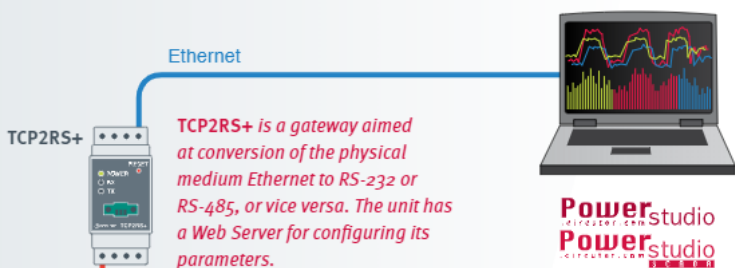
### Telemanagement of the 2 digital outputs:

- Open relay function
- Closed relay function
- Impulse function



# Management

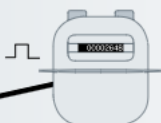
The **LM4A-2IO-M** enables to easily monitor and remotely control any industrial process signal thanks to the **PowerStudio / PowerStudio SCADA** energy management software.



RS-485



Water meter



Gas meter

## Supervision

### Supervision of the 2 digital inputs:

- Voltage-free inputs
- Detection of the logic state of the inputs
- Centralization of digital impulses received by external meters ( $\leq 10$  Hz)

## Display

### Monitoring of the 4 analogue inputs:

- Analogue signals from 0 ... 20 / 4 ... 20 mA
- 1024 points of resolution (10 Bits)
- Compatible with any field probe with a 0 ... 20 mA output (Barometers, thermometers, manometers, anemometers, humidity probes, flow meters, digital wind direction indicators, lux meters, etc.)

# Technical specifications

LM4A-2IO-M

Code M31565

## Power Supply circuit

Power Supply 85 ... 265 Va.c. / 120 ... 374 Vd.c.

Consumption 4,6 ... 7,5 V·A

Frequency 47 ... 63 Hz

## Digital Inputs (opto-Insulated voltage-free)

No. of inputs 2

Max. activation current 50 mA

## Analogue Inputs (0 ... 20 mA)

No. of inputs 4

Input range 0 ... 20 mA

Transducer resolution 10 bits (1024 points)

## Digital outputs (relay)

No. of outputs 2 (5 A max.)

Max. operating power 750 V·A

Max. operating voltage 250 Va.c.

Max. switching current Resistive load  $I$ : 5 Aa.c.

Electrical working life (250 Vac. / 5 A)  $3 \times 10^4$  operations

Mechanical working life  $2 \times 10^7$  operations

## Communications

Port RS-485

Protocol Modbus/RTU

## Environmental conditions

Operating temperature -10 ... +60 °C

Protection degree IP 20

Humidity 5 ... 95 % (without condensation)

Maximum altitude 2000 m

Safety Category III - 300 V L-N

Type of insulation **EN 61010** double-insulated electric shock protection class II

## Standards

IEC60664, VDE0110, UL94, EN61010-1, EN55011, EN61000-4-3, EN61000-4-11, EN61000-6-4, EN61000-4-2, EN61000-6-2, EN61000-6-2, EN61000-6-1, EN61000-6-3, EN61000-4-5

[www.circuitor.com](http://www.circuitor.com)

CIRCUTOR, SA - Vial Sant Jordi, s/n  
08232 Viladecavalls (Barcelona) Spain  
Tel. (+34) 93 745 29 00 - Fax: (+34) 93 745 29 14  
[central@circutor.es](mailto:central@circutor.es)

